

Unity Fuel Solutions Diesel Refueling Skids PO PO-0171

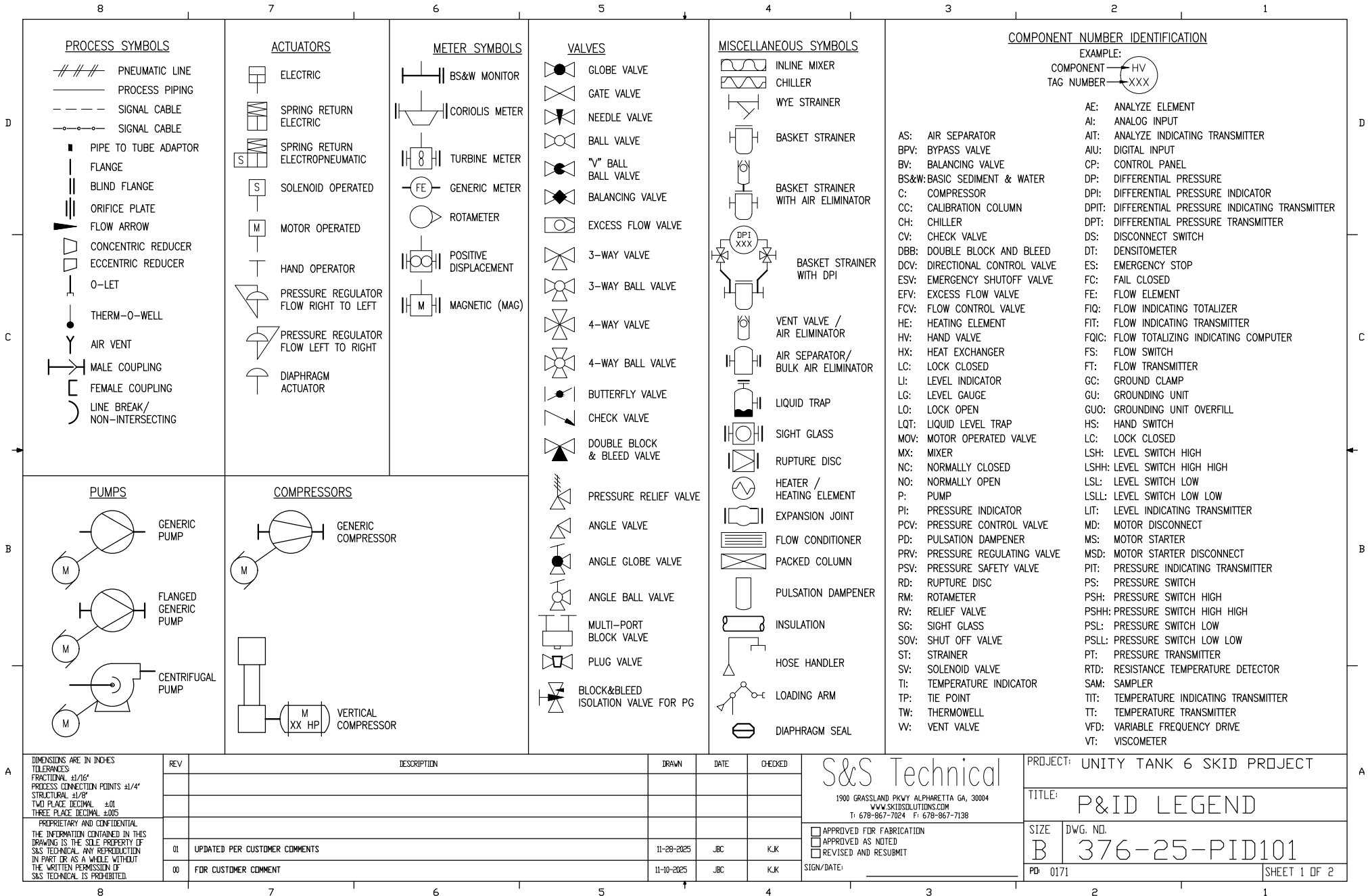
S&S Technical, Inc.
Project ID# 376-25



1900 Grassland Parkway
Alpharetta, GA 30004
678-867-7024

As Built Drawings

PE&ID

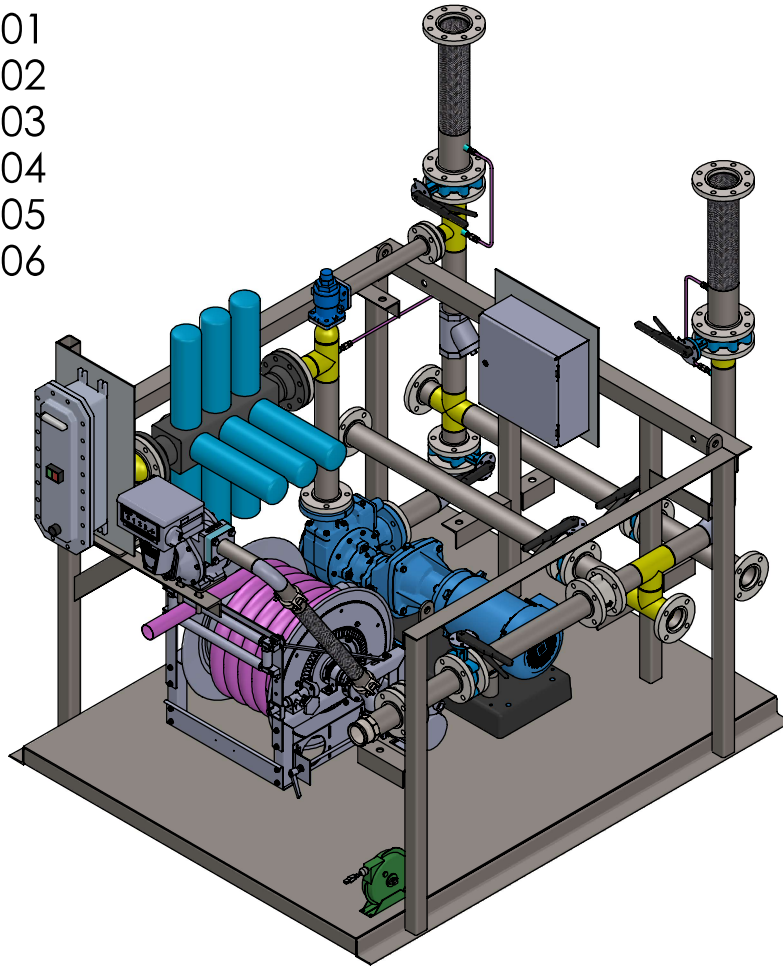


As Built Drawings

Mechanical

8 7 6 5 4 3 2 1

SERIAL NO:
 376-25-101
 376-25-102
 376-25-103
 376-25-104
 376-25-105
 376-25-106



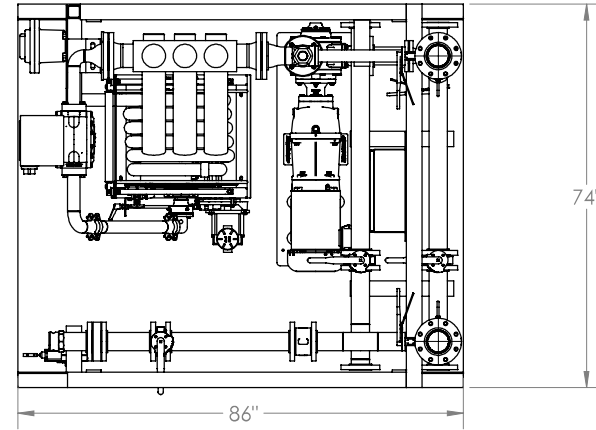
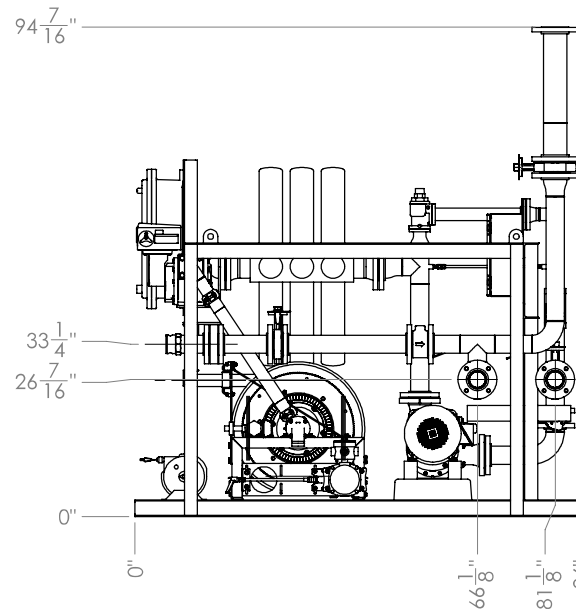
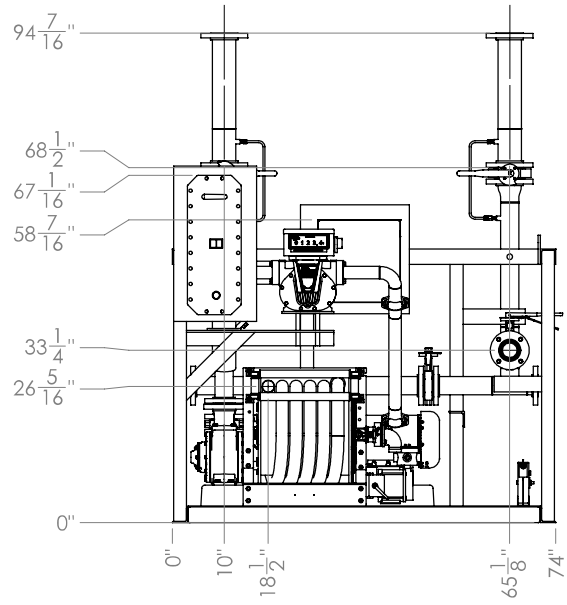
NOTES:

1. SERVICE: DIESEL REFUELING
2. MATERIALS OF CONSTRUCTION
 - PIPE: SCH 40 CARBON STEEL
 - STRUCTURAL: CARBON STEEL
 - COUNTRY OF ORIGIN RESTRICTION: N/A
3. EXTERNAL COATING
 - PIPE: POWDER COAT WHITE
 - STRUCTURAL: POWDER COAT GRAY
4. GASKETS: SPIRAL WOUND, TYPE CGI, 304SS INNER, CS OUTER RING. 1/8" THICK
5. PNEUMATIC LEAK CHECK UPON ASSEMBLY
6. ELECTRICAL CONDUIT RUNS PER NEC
 - CLASS 1 DIV 2

DIMENSIONS ARE IN INCHES TOLERANCES: FRACTIONAL ± 1/8" PROCESS CONNECTION POINTS ± 1/2" STRUCTURAL ± 1/8" TWO PLACE DECIMAL ± .01 THREE PLACE DECIMAL ± .005 PROPRIETARY AND CONFIDENTIAL THE INFORMATION CONTAINED IN THIS DRAWING IS THE SOLE PROPERTY OF S&S TECHNICAL. ANY REPRODUCTION IN PART OR AS A WHOLE WITHOUT THE WRITTEN PERMISSION OF S&S TECHNICAL IS PROHIBITED.	REV	DESCRIPTION	DATE	DRAWN	CHECKED	S&S Technical 1900 GRASSLAND PKWY. ALPHARETTA, GA 30004 WWW.SKIDSOLUTIONS.COM T: (678)867-7024 F: (678)867-7138	PROJECT: UNITY FUEL OIL TANK SKIDS		
	01	AS BUILT	3/6/2026	JBC	KJK		TITLE: GENERAL ARRANGEMENT		
	00	RELEASE FOR REVIEW	12/11/2025	JBC	KJK		SIZE: B	DWG. NO. 376-25-GA101	
	SIGN/DATE: _____						P.O.: #0171	SHEET 1 OF 8	REV:

8 7 6 5 4 3 2 1

GENERAL DIMENSIONS



REV	DESCRIPTION	DATE	DRAWN	CHECKED	SIGN/DATE:
01	AS BUILT	3/6/2026	JBC	KJK	
00	RELEASE FOR REVIEW	12/11/2025	JBC	KJK	

DIMENSIONS ARE IN INCHES
 TOLERANCES:
 FRACTIONAL ± 1/8"
 PROCESS CONNECTION POINTS ± 1/2"
 STRUCTURAL ± 1/8"
 TWO PLACE DECIMAL ± .01
 THREE PLACE DECIMAL ± .005

PROPRIETARY AND CONFIDENTIAL
 THE INFORMATION CONTAINED IN THIS DRAWING IS THE SOLE PROPERTY OF S&S TECHNICAL. ANY REPRODUCTION IN PART OR AS A WHOLE WITHOUT THE WRITTEN PERMISSION OF S&S TECHNICAL IS PROHIBITED.

S&S Technical
 1906 GRASSLAND PKWY.
 ALPHARETTA, GA 30004
 WWW.SKIDSOLUTIONS.COM
 T: (678)867-7024 F: (678)867-7138

APPROVED FOR FABRICATION
 APPROVED AS NOTED
 REVISE AND RESUBMIT

PROJECT: UNITY FUEL OIL TANK SKIDS
 TITLE: GENERAL ARRANGEMENT

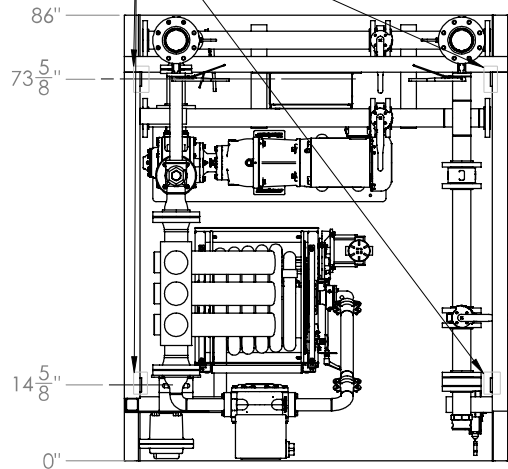
SIZE: DWG. NO. **B** 376-25-GA101

P.O.: #0171 SHEET 2 OF 8 REV:

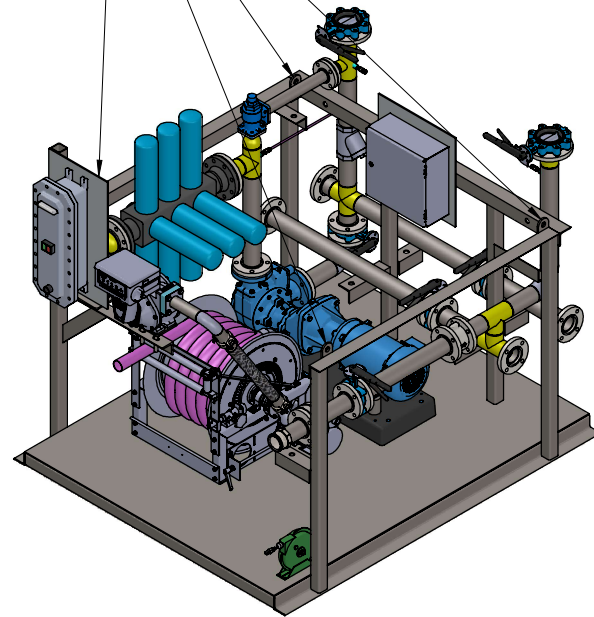
8 7 6 5 4 3 2 1

LIFTING LUG INFO

LIFTING LUGS



LIFTING LUGS
1-1/8" Ø HOLE



REV	DESCRIPTION	DATE	DRAWN	CHECKED	S&STechnical 1900 GRASSLAND PKWY. ALPHARETTA, GA 30004 WWW.SKIDSOLUTIONS.COM T: (678)867-7024 F: (678)867-7138	PROJECT:			
01	AS BUILT	3/6/2026	JBC	KJK		<input type="checkbox"/> APPROVED FOR FABRICATION <input type="checkbox"/> APPROVED AS NOTED <input type="checkbox"/> REVISE AND RESUBMIT	UNITY FUEL OIL TANK SKIDS		
00	RELEASE FOR REVIEW	12/11/2025	JBC	KJK	TITLE: GENERAL ARRANGEMENT				
DIMENSIONS ARE IN INCHES TOLERANCES: FRACTIONAL ± 1/8" PROCESS CONNECTION POINTS ± 1/2" STRUCTURAL ± 1/8" TWO PLACE DECIMAL ± .01 THREE PLACE DECIMAL ± .005 PROPRIETARY AND CONFIDENTIAL THE INFORMATION CONTAINED IN THIS DRAWING IS THE SOLE PROPERTY OF S&S TECHNICAL. ANY REPRODUCTION IN PART OR AS A WHOLE WITHOUT THE WRITTEN PERMISSION OF S&S TECHNICAL IS PROHIBITED.						SIZE	DWG. NO.		
						B	376-25-GA101		
						P.O.:	#0171	SHEET 3 OF 8	REV:

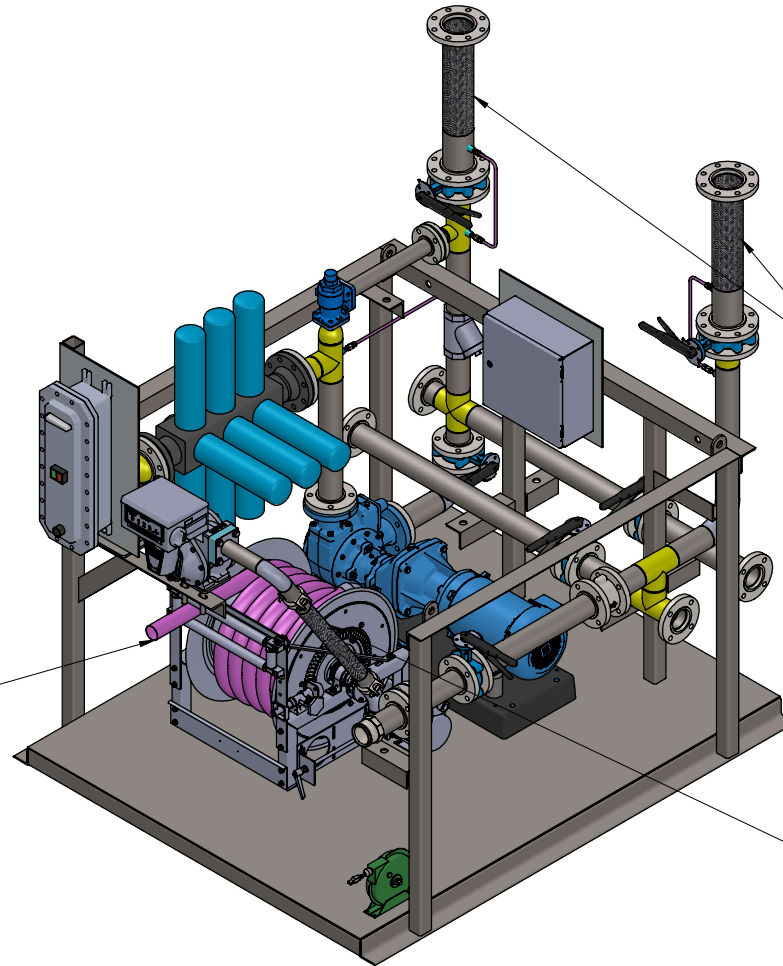
8 7 6 5 4 3 2 1

GENERAL INFORMATION

FUELING NOZZLED TO BE SUPPLIED BY CUSTOMER

4in 150# RF FLG
SS BRAIDED FLEX HOSE

2" VICTAULIC FITTING
STAINLESS STEEL
BRAIDED FLEX HOSE



DIMENSIONS ARE IN INCHES
TOLERANCES:
FRACTIONAL ± 1/8"
PROCESS CONNECTION POINTS ± 1/2"
STRUCTURAL ± 1/8"
TWO PLACE DECIMAL ± .01
THREE PLACE DECIMAL ± .005

PROPRIETARY AND CONFIDENTIAL
THE INFORMATION CONTAINED IN THIS DRAWING IS THE SOLE PROPERTY OF S&S TECHNICAL. ANY REPRODUCTION IN PART OR AS A WHOLE WITHOUT THE WRITTEN PERMISSION OF S&S TECHNICAL IS PROHIBITED.

REV	DESCRIPTION	DATE	DRAWN	CHECKED
01	AS BUILT	3/6/2026	JBC	KJK
00	RELEASE FOR REVIEW	12/11/2025	JBC	KJK

S&S Technical

1900 GRASSLAND PKWY.
ALPHARETTA, GA 30004
WWW.SKIDSOLUTIONS.COM
T: (678)867-7024 F: (678)867-7138

- APPROVED FOR FABRICATION
- APPROVED AS NOTED
- REVISE AND RESUBMIT

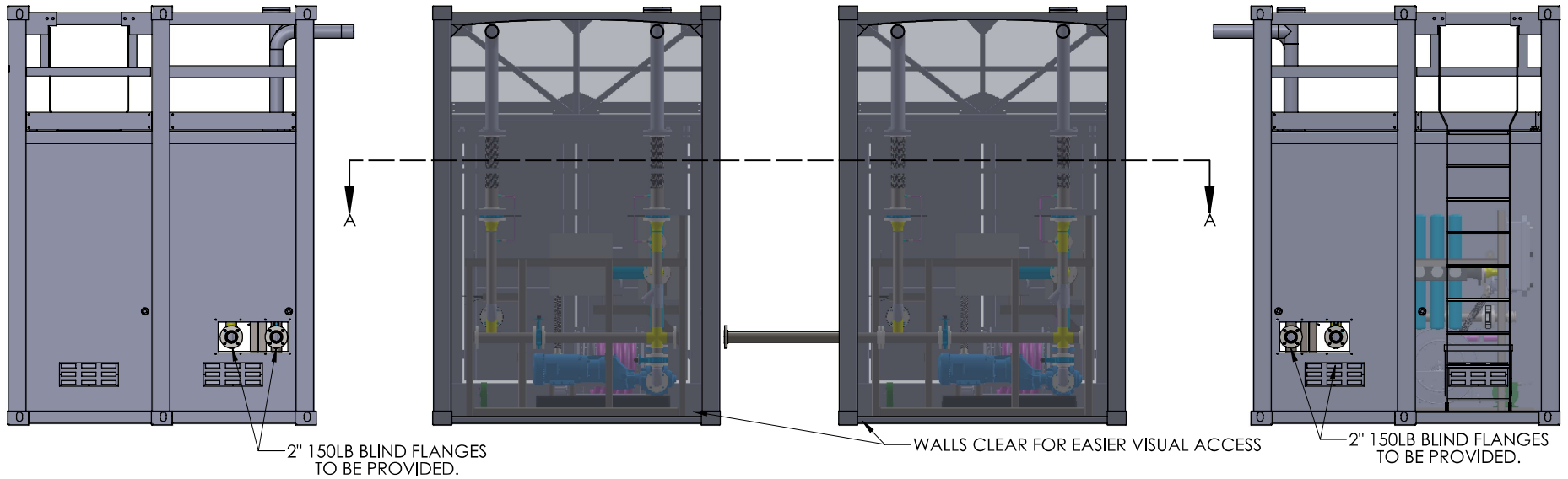
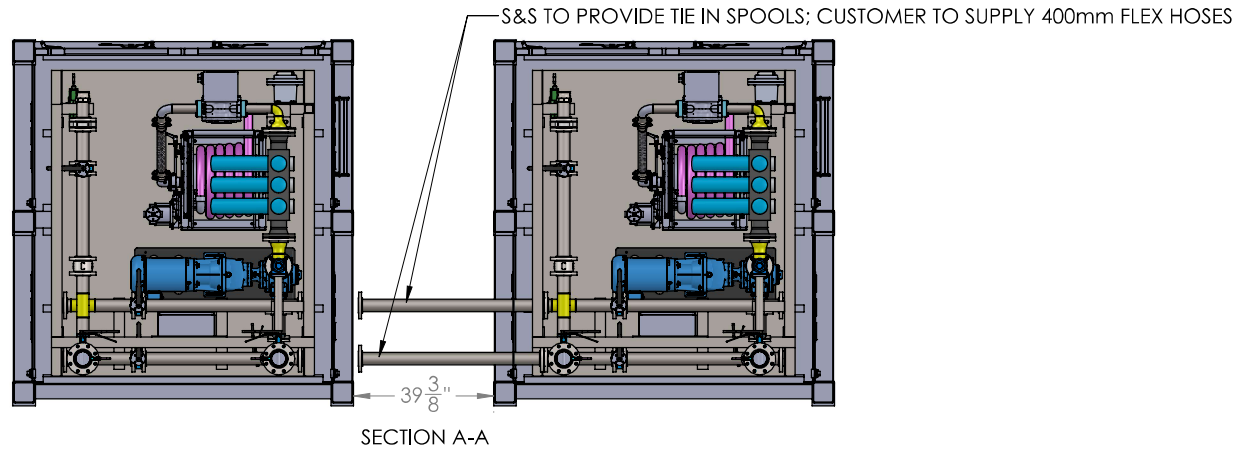
SIGN/DATE:

PROJECT:
UNITY FUEL OIL TANK SKIDS
TITLE:
GENERAL ARRANGEMENT

SIZE DWG. NO.
B 376-25-GA101

P.O.: #0171 SHEET 4 OF 8 REV:

GENERAL LAYOUT



DIMENSIONS ARE IN INCHES
TOLERANCES:
FRACTIONAL ± 1/8"
PROCESS CONNECTION POINTS ± 1/2"
STRUCTURAL ± 1/8"
TWO PLACE DECIMAL ± .01
THREE PLACE DECIMAL ± .005

PROPRIETARY AND CONFIDENTIAL
THE INFORMATION CONTAINED IN THIS DRAWING IS THE SOLE PROPERTY OF S&S TECHNICAL. ANY REPRODUCTION IN PART OR AS A WHOLE WITHOUT THE WRITTEN PERMISSION OF S&S TECHNICAL IS PROHIBITED.

REV	DESCRIPTION	DATE	DRAWN	CHECKED
01	AS BUILT	3/6/2026	JBC	KJK
00	RELEASE FOR REVIEW	12/11/2025	JBC	KJK

S&S Technical
1900 GRASSLAND PKWY.
ALPHARETTA, GA 30004
WWW.SKIDSOLUTIONS.COM
T: (678)867-7024 F: (678)867-7138

- APPROVED FOR FABRICATION
- APPROVED AS NOTED
- REVISE AND RESUBMIT

SIGN/DATE:

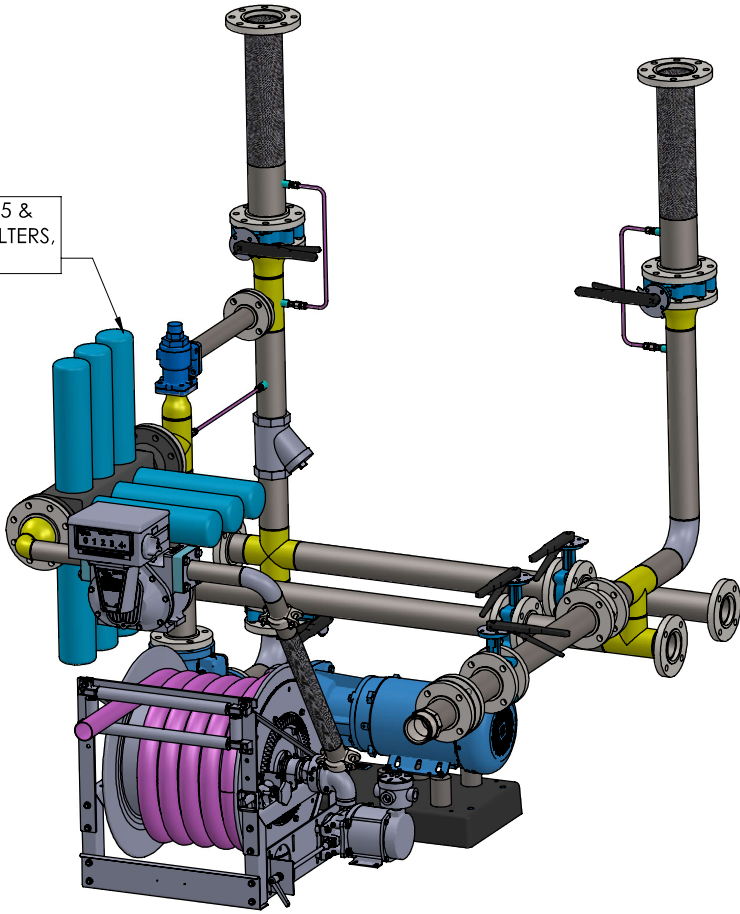
PROJECT:
UNITY FUEL OIL TANK SKIDS
TITLE:
GENERAL ARRANGEMENT

SIZE DWG. NO.
B 376-25-GA101

P.O.: #0171 SHEET 5 OF 8 REV:

SKID COMPONENTS

SERIAL NUMBERS 376-25-105 & 376-25-106 HAVE WATER FILTERS, NOT DIRT FILTERS.



ITEM NO.	QTY.	PartNo	DESCRIPTION	MFG
1	1	GNX3A/4/1R/C0/1/4/2/0/0/0/0/A/R0388-210TC/MT/1/87/1/RXXXX/B215TC/MTR B/TE808154	3in 150LB BLACKMER GNX3 RH PUMP; 10 HP; 1800 RPM, 60 Hz 3 PH 230/460V @60psi, CS BODY	BLACKMER
2	1	BV2A	DIFFERENTIAL BYPASS VALVE- 2in SET @60psi, CS BODY	BLACKMER
3	1	1KDFF1005	DIESEL FUEL FILTER; 6-FILTERS; 4in 150lb FLG	DONALDSON
4	1	700-3XXX2AG	TCS 700 SERIES FLOW METER	TCS
5	1	EPJ 232-26-27-15.5RT	HANNAY 2in REEL	HANNAY
6	1	YS80S-SS	3in Socket Weld Wye Strainer 600lbs	TITAN
7	1	3" CV32-CS	SWING CHECK VALVE- 3in 150lb WAFER, CS w/ PTFE SEATS	TITAN
8	1	JDGANSI3	3in 150lb Sight Glass	JKOH
9	2	732EXP	BUTTERFLY VALVE- 4in 150lb LUG, SS BODY, VITON SEATS, SST DISC, LEVEL	FNW
10	4	732EXM	BUTTERFLY VALVE- 3in 150lb LUG, CS BODY, VITON SEATS, SST DISC, LEVEL	FNW
11	3	SS-4CP2-25	CHECK VALVE: 0.25in NPT; 25PSI CRACKING PRESSURE	SWAGELOK
12	1	-	SS CAMLOCK- 3in	DIXON

REV	DESCRIPTION	DATE	DRAWN	CHECKED
01	AS BUILT	3/6/2026	JBC	KJK
00	RELEASE FOR REVIEW	12/11/2025	JBC	KJK

S&STechnical
 1906 GRASSLAND PKWY.
 ALPHARETTA, GA 30004
 WWW.SKIDSOLUTIONS.COM
 T: (678)867-7024 F: (678)867-7138

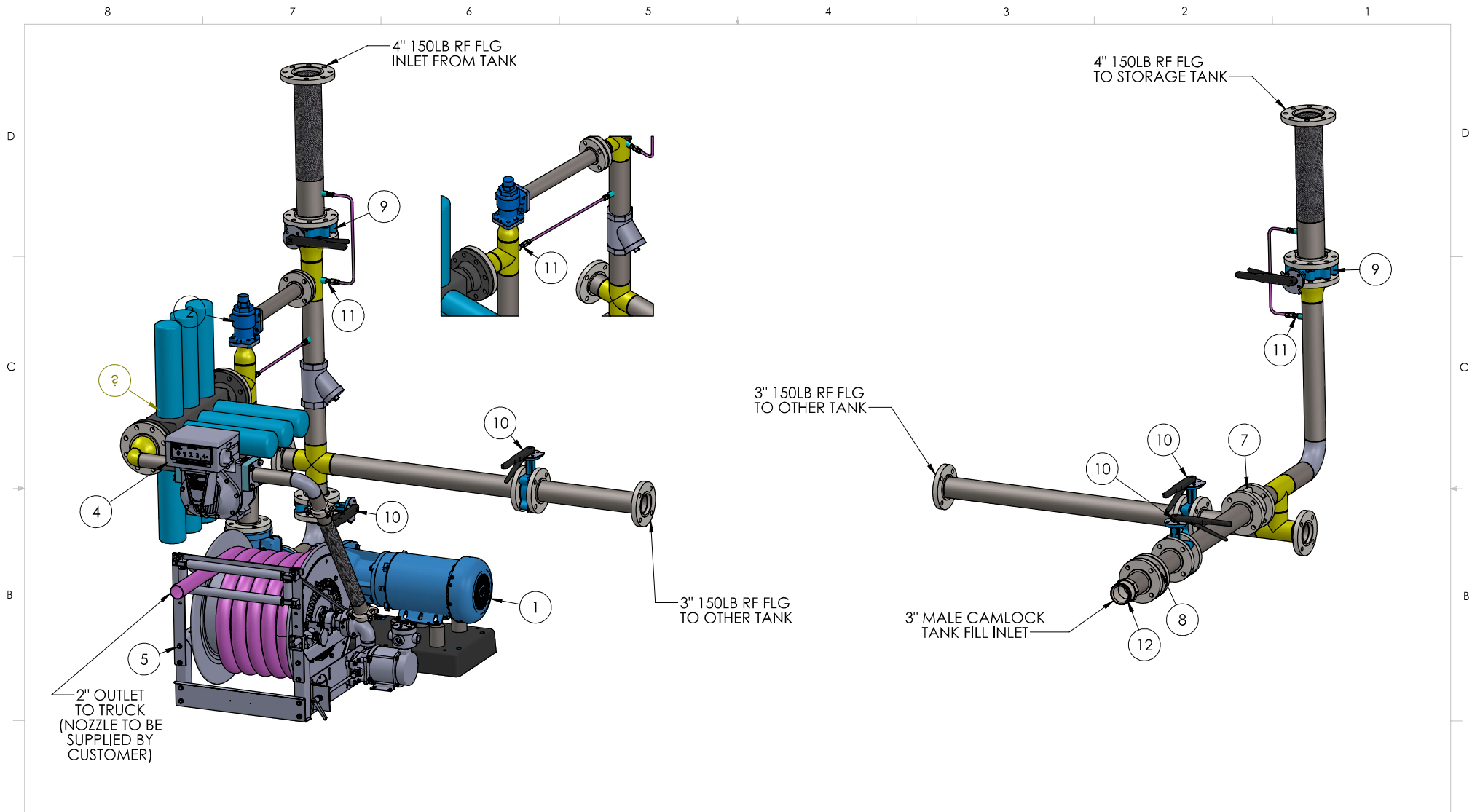
APPROVED FOR FABRICATION
 APPROVED AS NOTED
 REVISE AND RESUBMIT

SIGN/DATE: _____

PROJECT: UNITY FUEL OIL TANK SKIDS
 TITLE: GENERAL ARRANGEMENT

SIZE: DWG. NO. **B 376-25-GA101**

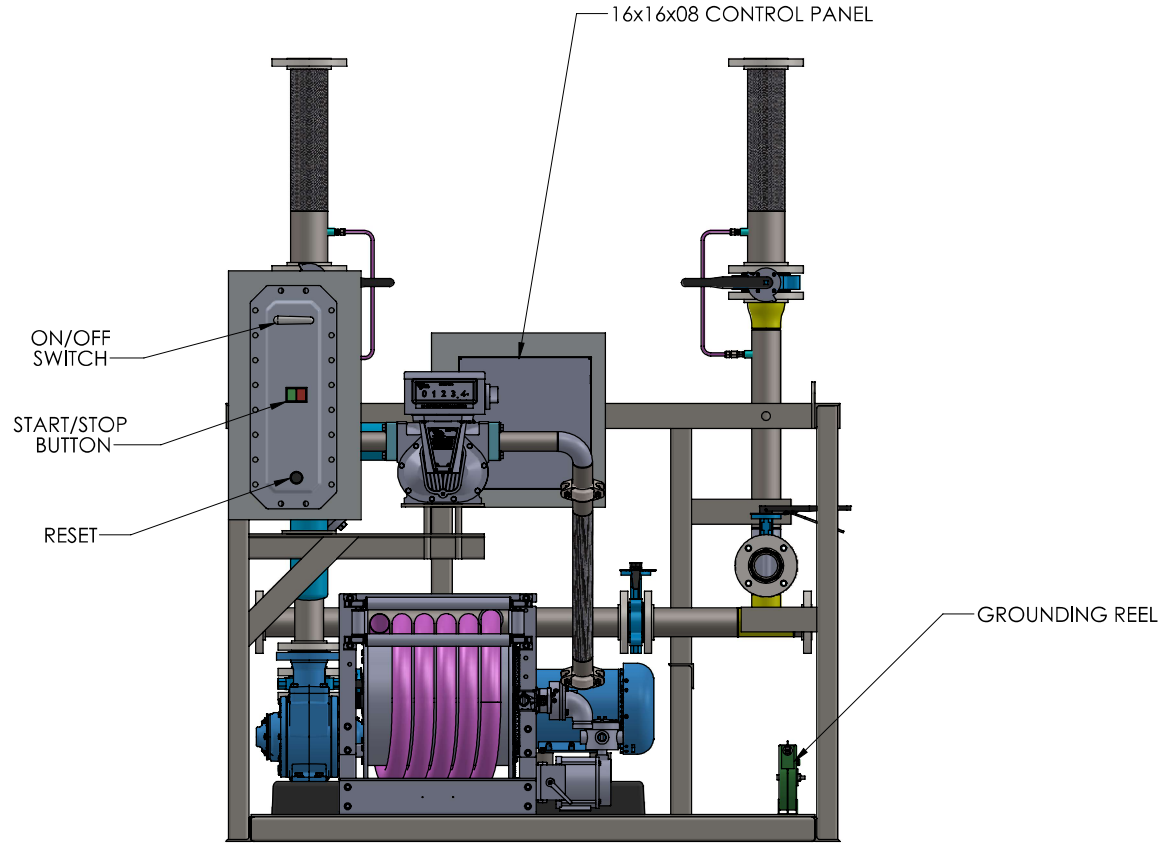
P.O.: #0171 SHEET 6 OF 8 REV:



REV	DESCRIPTION	DATE	DRAWN	CHECKED
01	AS BUILT	3/6/2026	JBC	KJK
00	RELEASE FOR REVIEW	12/11/2025	JBC	KJK

S&STechnical 1906 GRASSLAND PKWY. ALPHARETTA, GA 30004 WWW.SKIDSOLUTIONS.COM T: (678)867-7024 F: (678)867-7138		PROJECT: UNITY FUEL OIL TANK SKIDS
<input type="checkbox"/> APPROVED FOR FABRICATION <input type="checkbox"/> APPROVED AS NOTED <input type="checkbox"/> REVISE AND RESUBMIT		TITLE: GENERAL ARRANGEMENT
SIZE B	DWG. NO. 376-25-GA101	P.O.: #0171
SHEET 7 OF 8		REV:

ELECTRICAL COMPONENTS



DIMENSIONS ARE IN INCHES
 TOLERANCES:
 FRACTIONAL ± 1/8"
 PROCESS CONNECTION POINTS ± 1/2"
 STRUCTURAL ± 1/8"
 TWO PLACE DECIMAL ± .01
 THREE PLACE DECIMAL ± .005

PROPRIETARY AND CONFIDENTIAL

THE INFORMATION CONTAINED IN THIS DRAWING IS THE SOLE PROPERTY OF S&S TECHNICAL. ANY REPRODUCTION IN PART OR AS A WHOLE WITHOUT THE WRITTEN PERMISSION OF S&S TECHNICAL IS PROHIBITED.

REV	DESCRIPTION	DATE	DRAWN	CHECKED
01	AS BUILT	3/6/2026	JBC	KJK
00	RELEASE FOR REVIEW	12/11/2025	JBC	KJK

S&S Technical

1906 GRASSLAND PKWY.
 ALPHARETTA, GA 30004
 WWW.SKIDSOLUTIONS.COM
 T: (678)867-7024 F: (678)867-7138

- APPROVED FOR FABRICATION
- APPROVED AS NOTED
- REVISE AND RESUBMIT

SIGN/DATE:

PROJECT: UNITY FUEL OIL TANK SKIDS
 TITLE: GENERAL ARRANGEMENT

SIZE DWG. NO.
B 376-25-GA101

P.O.: #0171 SHEET 8 OF 8 REV:

As Built *Drawings*

Electrical

FILENAME	SH	DWGDESC	DWGDESC2	DWGDESC3
376-25-000	1	DRAWING LIST	BOM	
376-25-101	2	480/120VAC	MOTOR, REEL POWER	CONTROL
376-25-300	3	GENERAL ARRANGEMENT		
376-25-600	4	MCP-101	LAYOUT	
376-25-610	5	XFP-101	LAYOUT	

ITEM	QTY	SUB	CATALOG	MFG	DESCRIPTION
1	2		XCBSAQ-N4	ADALET	MOTOR STARTER
5	1		GRDT375	HAMMOND	BRASS GROUND KIT 375
6	1	*1	PH1500MQMJ	HAMMOND	CONTROL TRANSFORMER, ENCAPSULATED CORE, 1.5 KVA, 1-PHASE
		*1	PFK3	HAMMOND	PRIMARY SIDE FUSE KIT
		*2	FG5	HAMMOND	FINGER GUARD, PRIMARY OR SECONDARY SIDE
3		*2	LP-CC-7-1/2	BUSSMANN	FUSE - CLASS CC
2		*1	LP-CC-20	BUSSMANN	FUSE - CLASS CC
7	1		CP1616	HOFFMAN	16X16 CONCEPT BACK PANEL
8	1	*1	CSD16168SS	HOFFMAN	CONCEPT WALL-MOUNT ENCLOSURE NEMA 4X
		*1	CMFKSS	HOFFMAN	STAINLESS STEEL MOUNTING FOOT KIT
9	1		EXEBDM20SS6	HOFFMAN	HAZARDOUS LOCATION BREATHER DRAIN
10	1		22-34043	MELTRIC	DXN30 RECEPTACLE
11	1		22-38043	MELTRIC	DXN30 INLET
12	1		752C3N10	MELTRIC	BOX/ANGLE ADAPTER
13	1	*1	1004348	PHOENIX CONTACT	TERMINAL STRIP MARKER CARRIER - KLM-A
		*1	3022218	PHOENIX CONTACT	END BRACKET - CLIPFIX 35
14	2		3022218	PHOENIX CONTACT	END BRACKET - CLIPFIX 35
15	4		3044102	PHOENIX CONTACT	UNIVERSAL TERMINAL BLOCK - UT 4
16	1		3047028	PHOENIX CONTACT	END COVER - D-UT 2,5/10
17	1	*1	3048580	PHOENIX CONTACT	FUSE MODULAR TERMINAL BLOCK - UK 10,3-CC HESI N
4		*1	LP-CC-8	BUSSMANN	FUSE - CLASS CC
18	1	*1	9080LBC362104	SQUARE D	COPPER POWER DISTRIBUTION BLOCK
		*1	9080LB23	SQUARE D	POWER DISTRIBUTION BLOCK, COVER

AREA CLASSIFICATION: CLASS 1 DIV 2
 SKID WIRING: RMC / TREY CABLE
 SYSTEM VOLTAGE: 480/120VAC
 SYSTEM FLA: 19.23
 GENERAL INFORMATION:

REV	BY	DATE	REV	BY	DATE	REV	BY	DATE	REV	BY	DATE	REV	BY	DATE	REV	BY	DATE
									00	KJCF	11/21/25						

PRELIMINARY REVIEW

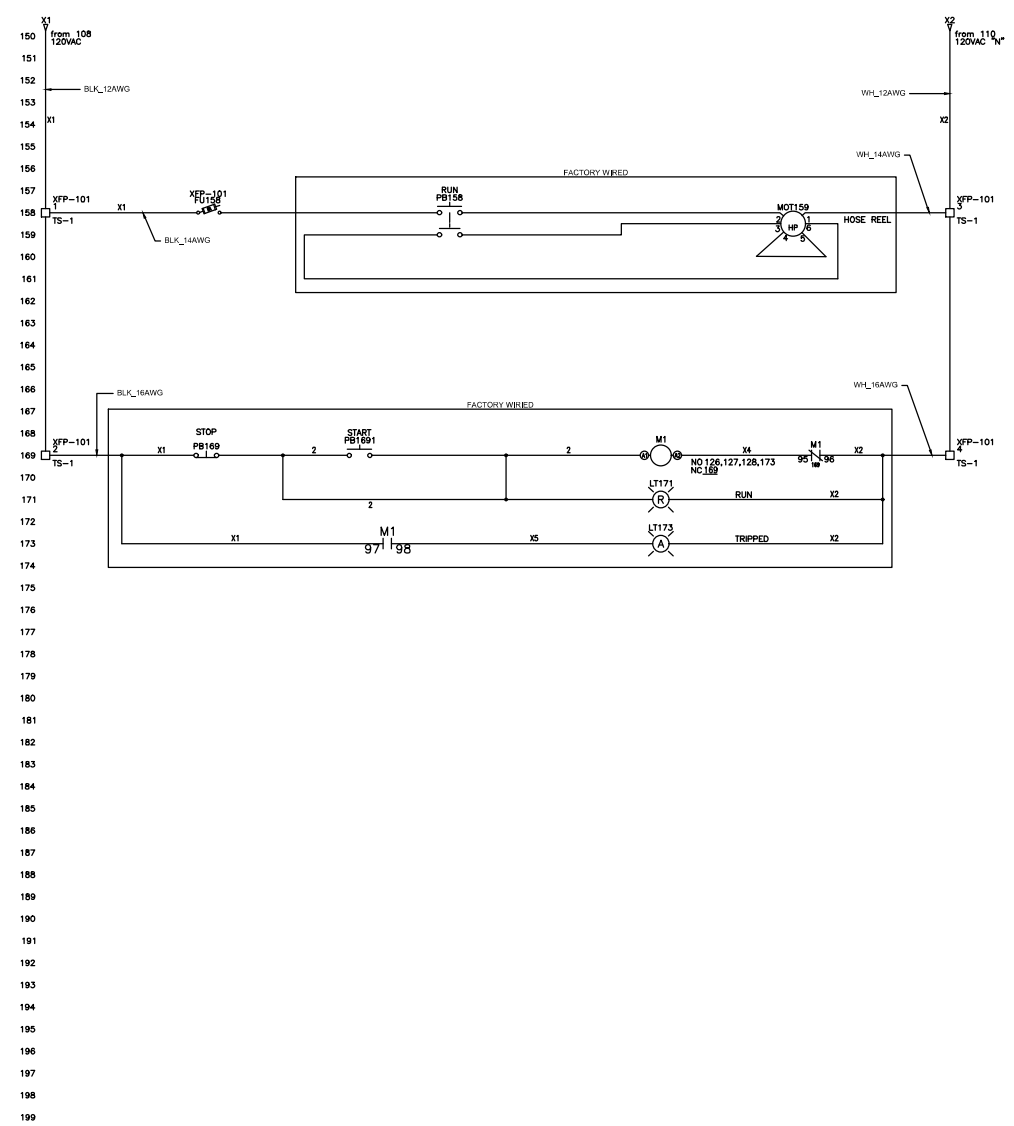
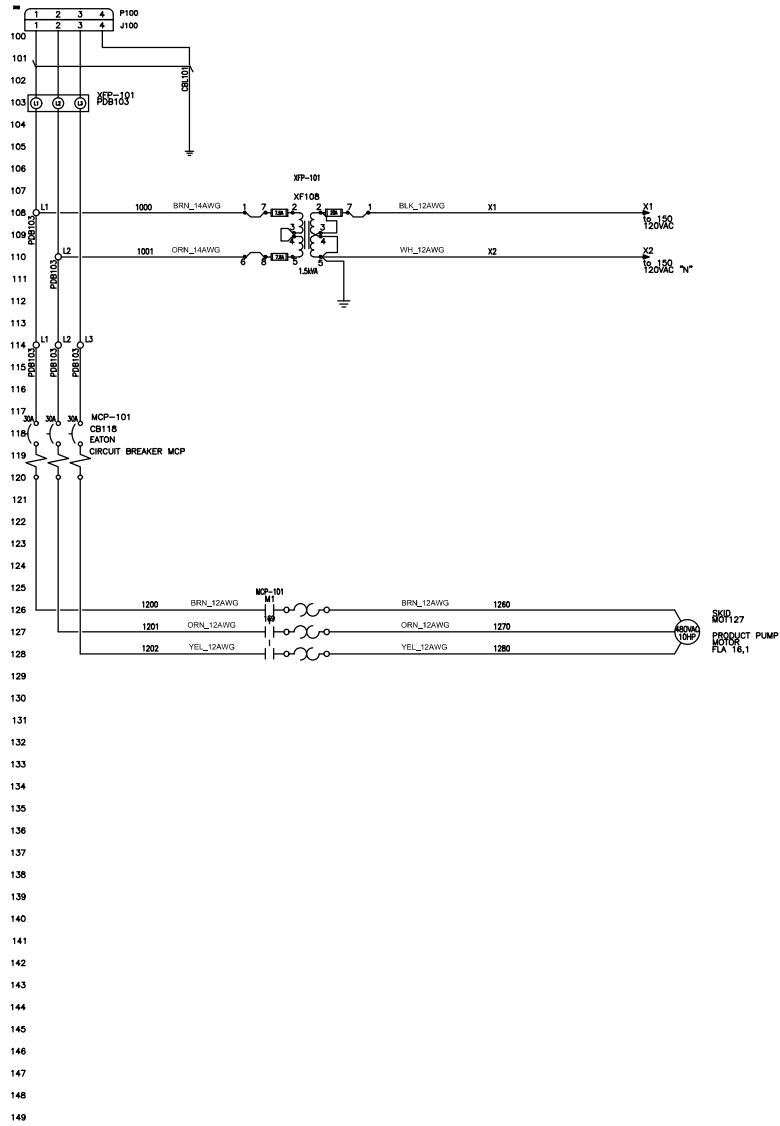
PROJECT CODE: 376-25
REV: 00
CUSTOMER PO: 0171



THIS DRAWING IS THE EXCLUSIVE PROPERTY OF S&S TECHNICAL, INC. OR ITS AFFILIATES ("COMPANY").
 The information contained herein is proprietary and confidential. This drawing must not be copied or shared with a third party without the written consent of Company, or used in any way detrimental to Company. By accepting this drawing, you agree to the foregoing conditions.

UNITY TANK SKID 1 THROUGH 6 DRAWING LIST BOM	DATE: 11/21/25
DRAWN: KJCF CHECKED: ***	FILE NAME: 376-25-000.DWG
SHEET: 1 OF 5	

376-25-101



AREA CLASSIFICATION: CLASS 1 DIV 2
 SKID WIRING: RMC / TREY CABLE
 SYSTEM VOLTAGE: 480/120VAC
 SYSTEM FLA: 19.23
 GENERAL INFORMATION:

REV	BY	DATE	REV	BY	DATE	REV	BY	DATE	REV	BY	DATE	REV	BY	DATE	REV	BY	DATE
									REV 00	BY:KJCF	DATE: 11/21/25						

PRELIMINARY REVIEW

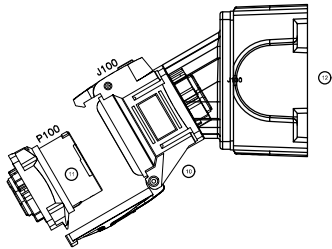
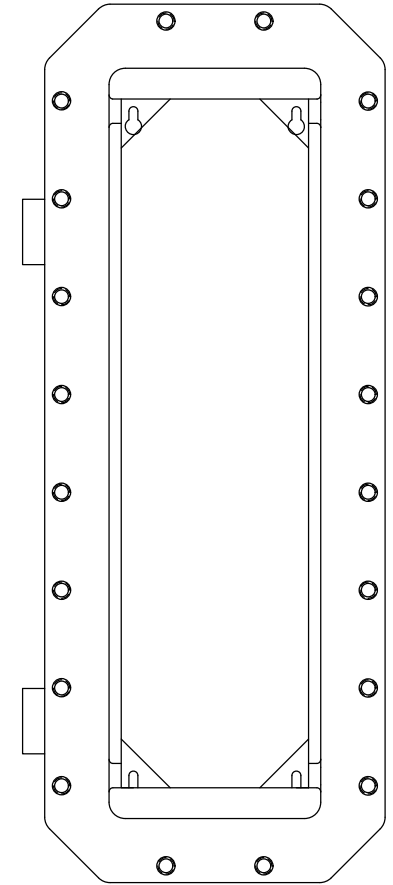
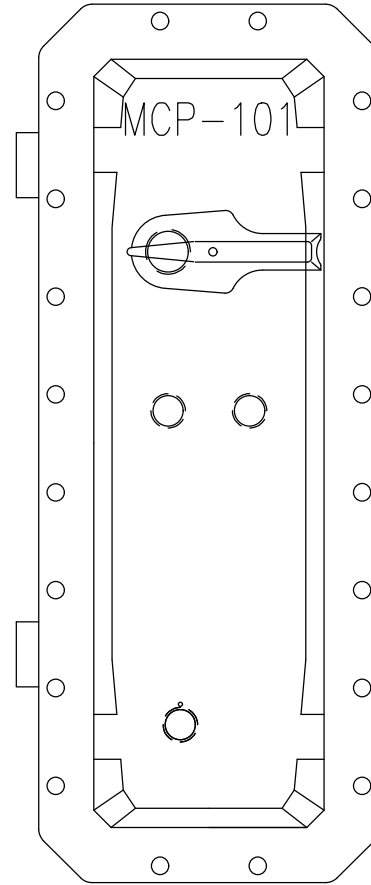
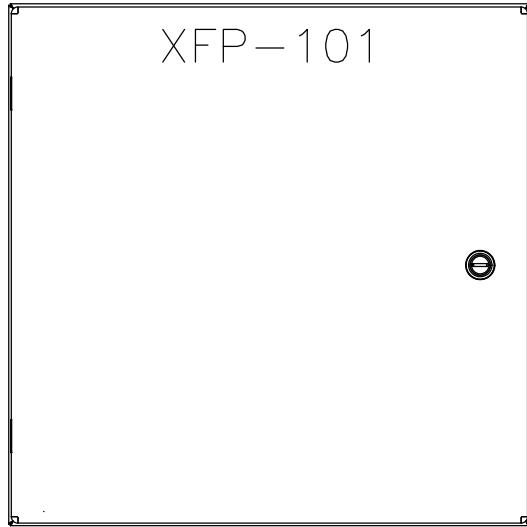
PROJECT CODE:
376-25
REV: 00
CUSTOMER PO:
0171



THIS DRAWING IS THE EXCLUSIVE PROPERTY OF S&S TECHNICAL, INC. OR ITS AFFILIATES ("COMPANY").
 The information contained herein is proprietary and confidential. This drawing must not be copied or shared with a third party without the written consent of Company, or used in any way detrimental to Company. By accepting this drawing, you agree to the foregoing conditions.

UNITY TANK
 SKID 1 THROUGH 6
 480/120VAC
 MOTOR, REEL POWER CONTROL
 DATE: 11/21/25

DRAWN: KJCF
 CHECKED: ...
 FILE NAME: 376-25-101.DWG
 SHEET: 2 OF 5



AREA CLASSIFICATION: CLASS 1 DIV 2
 SKID WIRING: RMC / TREY CABLE
 SYSTEM VOLTAGE: 480/120VAC
 SYSTEM FLA: 19.23
 GENERAL INFORMATION:

REV.	BY:	DATE:	REV.	BY:	DATE:	REV.	BY:	DATE:	REV.	BY:	DATE:	REV.	BY:	DATE:

PRELIMINARY REVIEW

REV:00 BY:KJCF DATE:11/21/25

PROJECT CODE:
376-25

REV: 00

CUSTOMER PO:
0171



THIS DRAWING IS THE EXCLUSIVE PROPERTY OF S&S TECHNICAL, INC. OR ITS AFFILIATES ("COMPANY").

The information contained herein is proprietary and confidential. This drawing must not be copied or shared with a third party without the written consent of Company, or used in any way detrimental to Company. By accepting this drawing, you agree to the foregoing conditions.

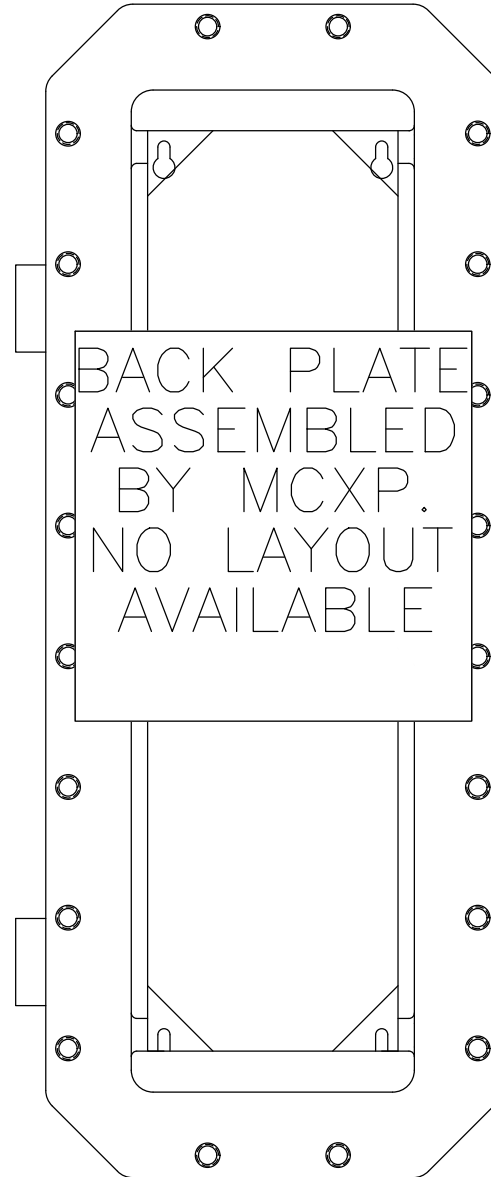
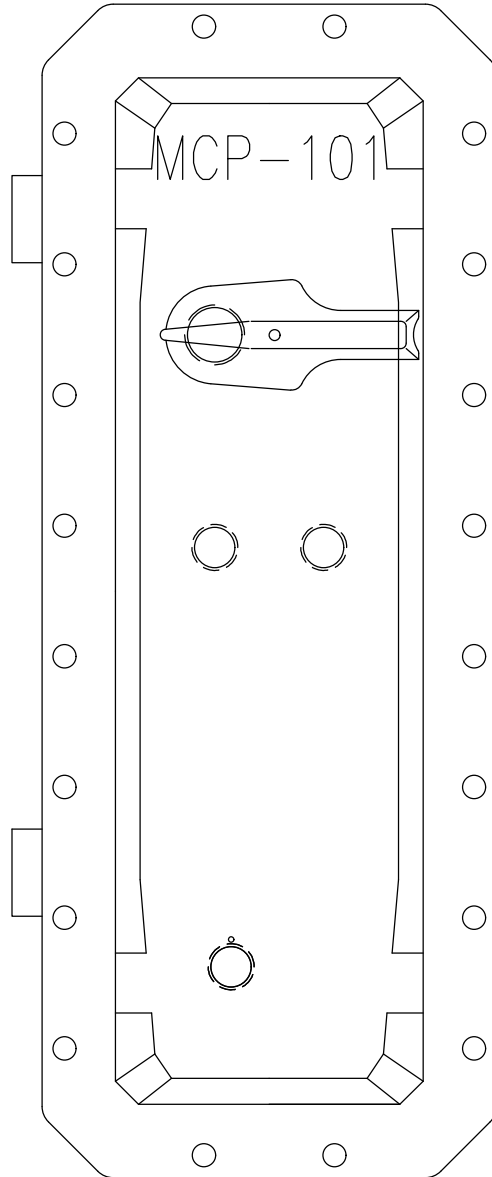
DRAWN: KJCF
 CHECKED: ***
 FILE NAME: 376-25-300.DWG

DATE: 11/21/25

UNITY TANK
 SKID 1 THROUGH 6
 GENERAL ARRANGEMENT

376-25-300

SHEET: 3 OF 5



AREA CLASSIFICATION: CLASS 1 DIV 2
 SKID WIRING: RMC / TREY CABLE
 SYSTEM VOLTAGE: 480/120VAC
 SYSTEM FLA: 19.23
 GENERAL INFORMATION:

REV.	BY	DATE	REV.	BY	DATE	REV.	BY	DATE	REV.	BY	DATE

PRELIMINARY REVIEW

REV 00	BY: KJCF	DATE: 11/21/25
--------	----------	----------------

PROJECT CODE: 376-25
REV: 00
CUSTOMER PO: 0171

S&S TECHNICAL
 ENGINEERING | FABRICATION | AUTOMATION

THIS DRAWING IS THE EXCLUSIVE PROPERTY OF S&S TECHNICAL, INC. OR ITS AFFILIATES ("COMPANY").

The information contained herein is proprietary and confidential. This drawing must not be copied or shared with a third party without the written consent of Company, or used in any way detrimental to Company. By accepting this drawing, you agree to the foregoing conditions.

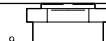
UNITY TANK SKID 1 THROUGH 6 MCP-101 LAYOUT	DATE: 11/21/25
DRAWN: KJCF CHECKED: *** FILE NAME: 376-25-600.DWG	
376-25-600	SHEET: 4 OF 5

XFP-101

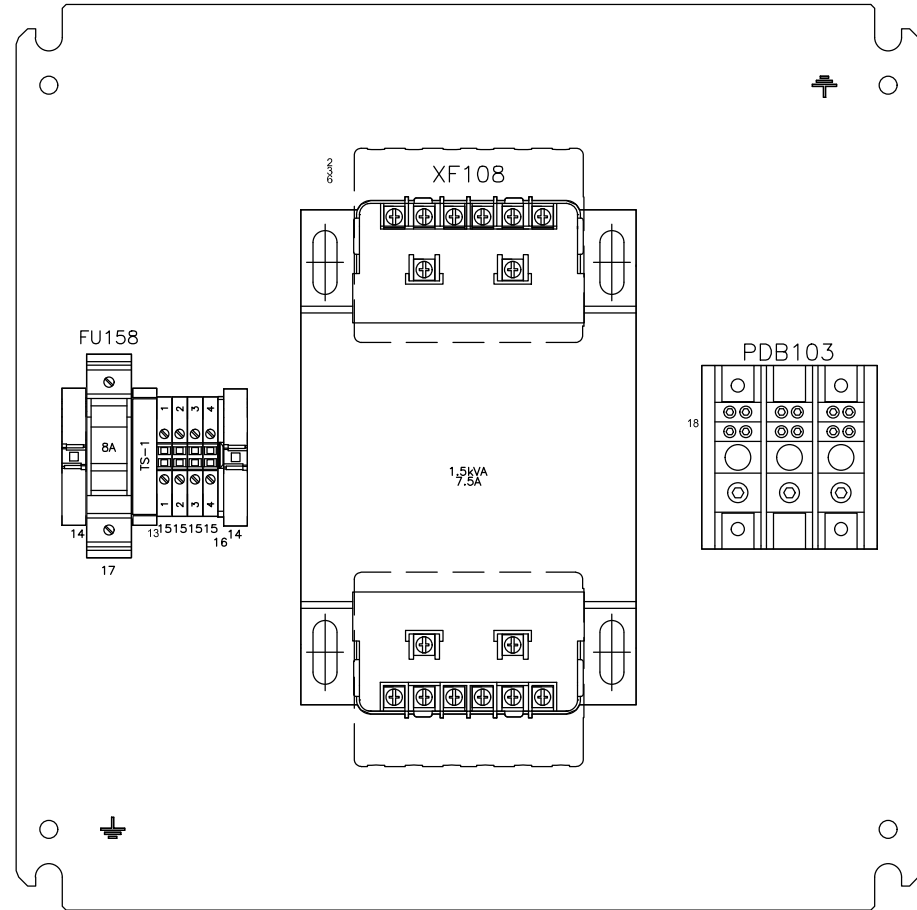
8



5



9



AREA CLASSIFICATION: CLASS 1 DIV 2
 SKID WIRING: RMC / TREY CABLE
 SYSTEM VOLTAGE: 480/120VAC
 SYSTEM FLA: 19.23
 GENERAL INFORMATION:

REV.	BY:	DATE:	REV.	BY:	DATE:	REV.	BY:	DATE:	REV.	BY:	DATE:	REV.	BY:	DATE:	REV.	BY:	DATE:
									REV 00	BY: KJCF	DATE: 11/21/25						

PRELIMINARY REVIEW

PROJECT CODE:
376-25

REV: 00

CUSTOMER PO:
0171



THIS DRAWING IS THE EXCLUSIVE PROPERTY OF S&S TECHNICAL, INC. OR ITS AFFILIATES ("COMPANY").
 The information contained herein is proprietary and confidential. This drawing must not be copied or shared with a third party without the written consent of Company, or used in any way detrimental to Company. By accepting this drawing, you agree to the foregoing conditions.

UNITY TANK
 SKID 1 THROUGH 6
 XFP-101
 LAYOUT

DRAWN: KJCF
 CHECKED: ***
 DATE: 11/21/25
 FILE NAME: 376-25-610.DWG

376-25-610 SHEET: 5 OF 5